

USB Shutter



USB Shutter Features

- **USB powered and controlled shutter**
- **Draws power from a standard USB port**
- **Auto closing shutter (return spring) if power or communications is lost**
- **Quiet stepper motor operation (no clunk) to open and close**
- **USB Hot pluggable with Auto-detection**
- **Mounts on standard optical tables with 1/4 - 20 screws on 1.0" centers**
- **Clear beam aperture of 0.75 inches or ~ 19.0 Millimeters**
- **One meter USB cable included**
- **Easy to use Windows (XP and higher) based User Interface software included**
- **LabView and C++ example software with a DLL file provided for ease of automation**

(\$ 285.00 single piece price)

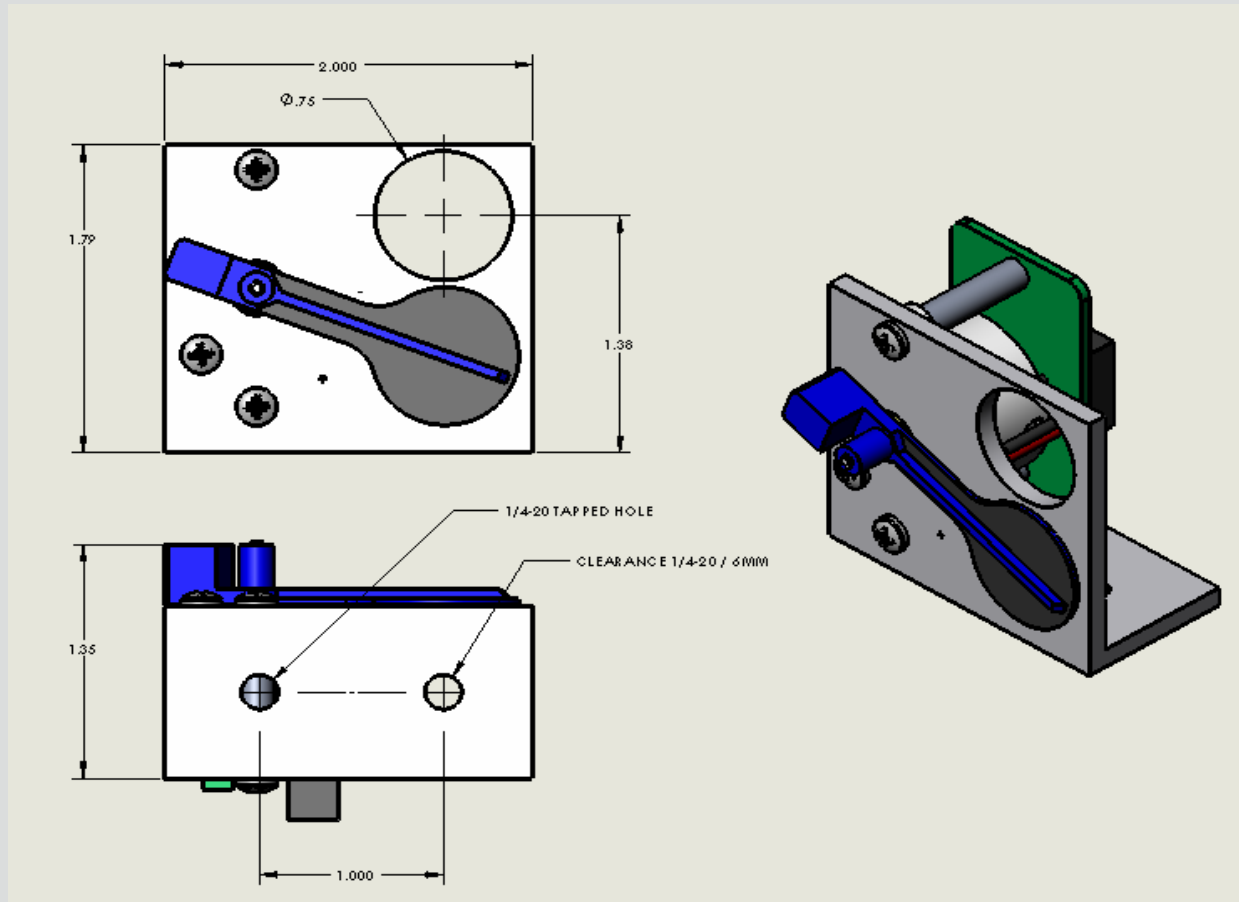
Picard Industries

4960 Quaker Hill Road, Albion, NY 14411

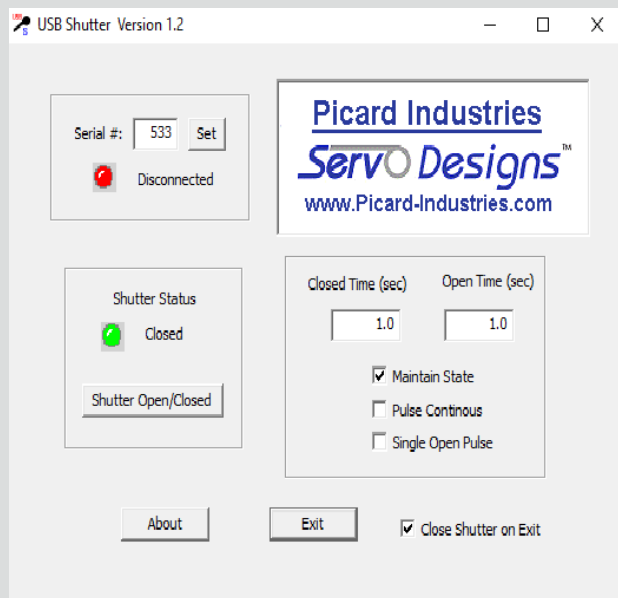
(585) 589-0358

www.Picard-Industries.com

Mechanical Layout



Software Interface



Description

We provide this Windows example program for timed control of an individual **USB-Shutter**. Each shutter is identified by its serial number located on the shutter. Enter this number and click Set to connect. Status (red/green) indicators are used to show whether the shutter is properly connected to the USB port and whether it is **opened** or **closed**. The shutter button is clicked to toggle the shutter state. Timed exposures are accomplished by entering time values and selecting a Pulse mode. To the left is a screen-shot of the user interface. Source code for this program and LabView examples are also provide as a tutorial for using our DLL file that controls the **shutter**.